



Trimod Besta

Accessories

Counterflanges with and without test actuator

The simplest method of installing any Trimod Besta level switch of the Standard Range and the Compact Switch, Type C 01C 05 is to use our standard weld-on counterflanges. There are two different lengths of counterflanges in C22.8 carbon steel or 1.4404 stainless steel, with or without test actuator. The test actuator allows a periodic manual function check of the level switch in operating status. The following functions can be tested; function of the switching element (microswitch, proximity switch, pneumatic valve) and movement of the float.

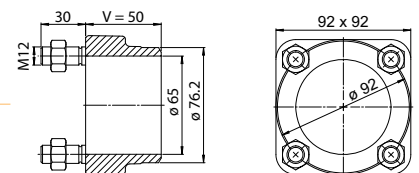


Table 31

Type	Flange material	Stud material	Test actuator material	O-Ring material
------	-----------------	---------------	------------------------	-----------------

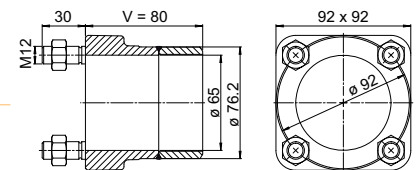
Counterflange V = 50 mm

2835	C22.8	5.8		
2838	1.4404	A2		



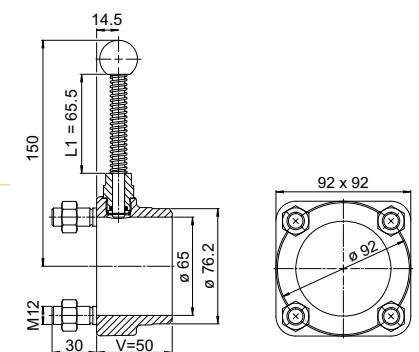
Counterflange V = 80 mm

2835V80	C22.8	5.8		
2838V80	1.4404	A2		



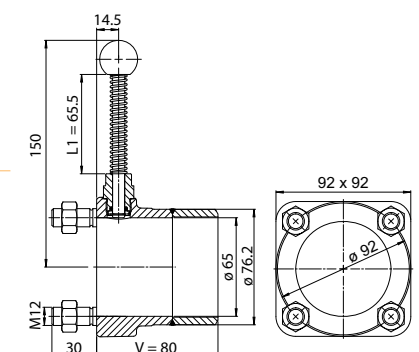
Counterflange V = 50 mm with test actuator

2865	C22.8	5.8	1.4305/1.4404	FPM
2866	C22.8	5.8	1.4305/1.4404	EPDM
2868	1.4404	A2	1.4305/1.4404	FPM
2869	1.4404	A2	1.4305/1.4404	EPDM



Counterflange V = 80 mm with test actuator

2865V80	C22.8	5.8	1.4305/1.4404	FPM
2866V80	C22.8	5.8	1.4305/1.4404	EPDM
2868V80	1.4404	A2	1.4305/1.4404	FPM
2869V80	1.4404	A2	1.4305/1.4404	EPDM



Important: Positioning of counterflanges with G 3/8" thread for test actuator.
If the level switch is used for high alarm the thread has to look upwards. For a low level alarm, the thread has to look downwards.
See also table 33.

Temperature range:

- Counterflange
 - Material C22.8: -10 to +300°C
 - Material 1.4404: -196 to +400°C
- Test actuator
 - with FPM O-Ring: 0 to +150°C
 - with EPDM O-Ring: -30 to +150°C

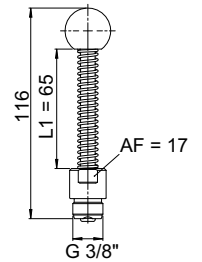
Operating pressure: -1 to +25 bar

Important: For use of the counterflange on top of the tank (vertical switch) please contact us for correct application.



Spare parts

Type	Specification	Test actuator	O-Ring
2380	Test actuator	1.4305/1.4404	FPM
2381	Test actuator	1.4305/1.4404	EPDM



Test actuator Type 2382 and 2383

The test actuators 2382 and 2383 can be used, if:

- a) the tank is already equipped with an older generation Besta counterflange, such as type 2829.2, 2831.4, 2829.2V80 or 2831.4V80
- b) the customer is manufacturing his own counterflanges

Important: Not for use in connection with the Compact Switch.

Table 32

Type	Specification	Test actuator material	O-Ring material	Temperature range	Operating pressure
2382	Test actuator	CrNiMo	FPM	0 to +150°C	-1 to 25 bar
2383	Test actuator	CrNiMo	EPDM	-30 to +150°C	-1 to 25 bar

Test actuators are supplied with flat gaskets.

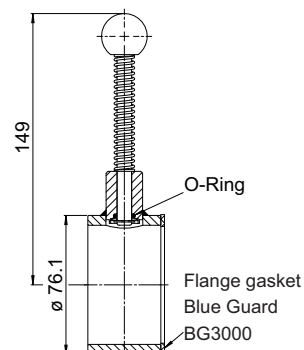
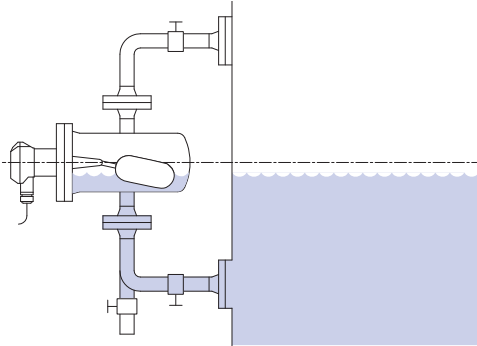


Table 33

Application	Use as high (HA) or low (LA) alarm	Mounting position
Checking switch function and float movement under operating conditions (OP = -1 to +25 bar)	HA	
	LA	

Float chambers

Wherever it is not possible or desirable to install float switches directly onto a vessel, horizontal Trimod Besta level switches can be mounted externally in a float chamber. This type of installation allows functional checks and servicing to be carried out without interrupting operation, provided that isolation and drain valves are included in the process connections.



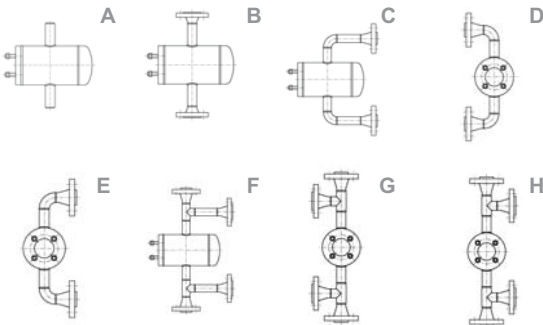
Float chambers may be divided into 2 groups.

Standard chambers PN 25

In various steel qualities and configurations with process connection acc. to DIN or ANSI.

For use with the Trimod Besta level switches from the standard range with:

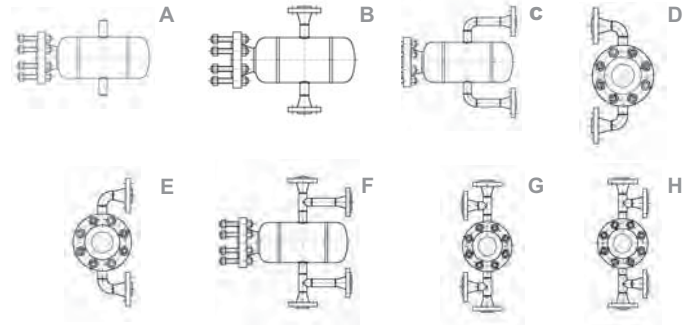
Square flange type: 01 or
Round flange type: 011



Industrial chambers up to PN 315 acc. to DIN or cl. 2500 acc. to ANSI

In various steel qualities and configurations with switch and process connections acc. to DIN or ANSI.

For use with the Trimod Besta level switches from the industrial range with DIN flanges DN 65 or ANSI flanges DN 3".



BESTA

Besta Ltd.
Ackerstrasse 45
CH-8610 Uster, Switzerland
Phone +41 43 399 15 15
info@besta.ch, www.besta.ch